



# HOSHIZAKI

## CERTIFICATION



HACCP International



ISO9001

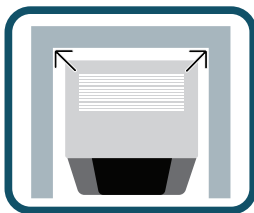
## DCM-80LS-HC ICE & WATER DISPENSER



### Key Features



**Eco-Friendly Refrigerant**



#### Perfect fit

There are no exhaust outlet on the left and right sides and the back, so it can be placed close to the wall.



#### Hygienic design

This Lever type of ice dispenser prevents touching the lip of a glass.



#### Easy for daily cleaning

Draining board can be removed



#### Easy for maintenance

Notify when parts should be replaced

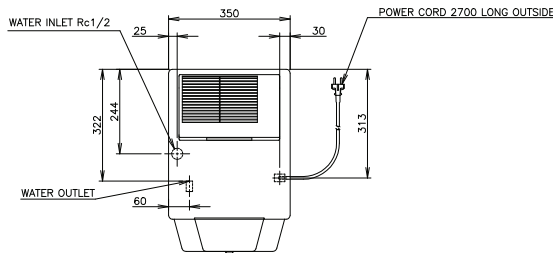
Hoshizaki DCM series are ice/water dispensers producing high-quality servings of cubelet ice and/or water. The three steps of quality ice production, protected ice storage, as well as quick service of ice are all combined in one device – with the help of only one button your refreshment is ready in seconds. With DCM DISPENSERS the user can select from these options:

- » Cubelet ice only
- » Cubelet ice and water
- » Water only



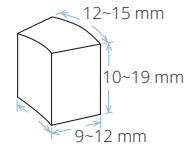
# Dimensions & Specifications

## TOP

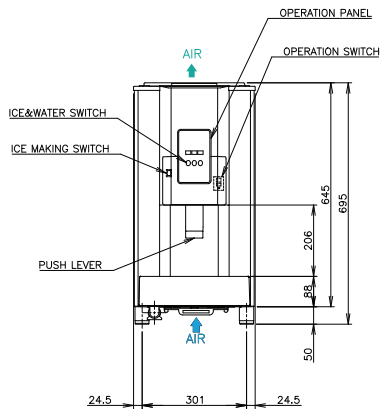


## ICE SHAPE

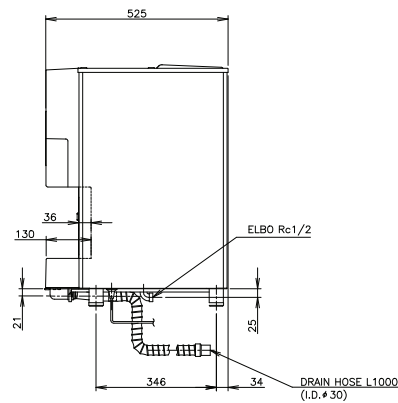
**Cubelet**  
Compressed Flake Ice



## FRONT



## RIGHT SIDE



MODEL		DCM-80LS-HC
ICE SHAPE		Cubelet (Compressed Flake Ice)
POWER SUPPLY		1 Phase 220-230V 60Hz Capacity: 0.39kVA (1.7A)
AMPERAGE		1.5A Started: 7.3A
ELECTRIC CONSUMPTION		294W
HEAT REJECTION		(AT32°C / WT21°C) 610W
ICE PRODUCTION PER 24H		(AT10°C / WT10°C) 90kg
		(AT21°C / WT15°C) 74kg
		(AT32°C / WT21°C) 59kg
ICE DISPENSING RATE (40G / CUP)		(AT10°C / WT10°C) Approx. 146 cups / h
		(AT21°C / WT15°C) Approx. 131 cups / h
		(AT32°C / WT21°C) Approx. 117 cups / h
STORAGE CAPACITY		Approx. 1.9kg
WATER CONSUMPTION PER 24H		(AT32°C / WT21°C) 50L
REFRIGERANT		R290 / 75g
OUTSIDE DIMENSIONS		350mm(W) x 525mm(D) x 695 (- 710)mm(H)
PACKAGE		Carton 400mm(W) x 581mm(D) x 749mm(H)
WEIGHT		41kg (Gross 44kg)
OPERATING CONDITIONS		Ambient Temp: 5-40°C, Water Supply Temp: 5-35°C
		Water Supply Pressure: 0.05-0.78MPa
		Voltage Range: Rated Voltage ±4%



# HOSHIZAKI

**HOSHIZAKI PHILIPPINES CORPORATION**

Unit No. GB-2, G/F Agustin 1 Bldg., # 28 F. Ortigas Center, Pasig City, Philippines 1605

TEL +632 8839 2861 | <https://hoshizaki-sea.com/>

